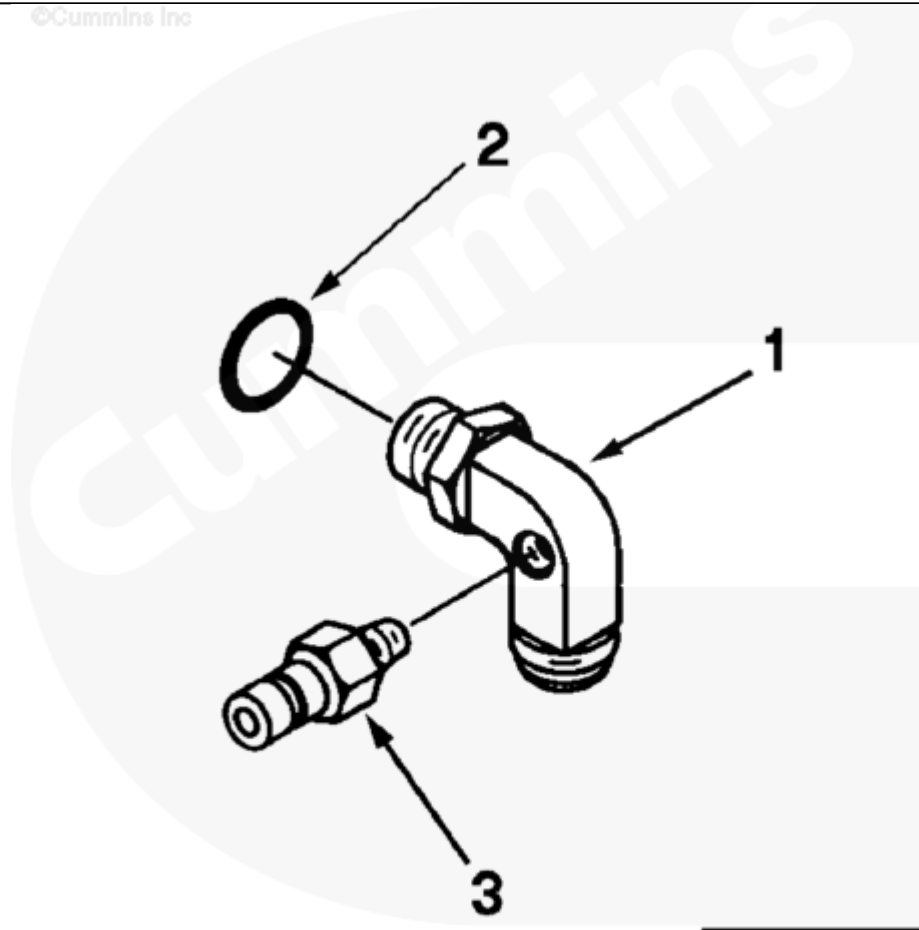




# Parts Catalog - Option Detail

Electronic Parts Catalog - Option Detail				
Option	Group	Graphic	Film Card	Date
FF2773-01	06.02	fs200gg	II	01-OCT-02
<b>Engines</b>	ISM CM570, ISM CM570/870, ISM CM875, ISM CM876, ISM CM876 E, ISM11 CM876 M103, ISM11 CM876 SN, M11 CELECT, M11 CELECT PLUS, M11 MECHANICAL, QSM11 CM570, QSM11 CM876			

©Cummins Inc



**fs200gg**

[SMALL](#) | [MEDIUM](#) | [LARGE](#)

Cart	Ref No	Part Number	Part Description	Required	Remarks
<a href="#">View My Cart</a>					
		<a href="#">FF2773-01</a>	Fuel Pump Inlet Fitting		
					Fuel Pump Inlet Fitting

					Pump Inlet Fitting: 90
					Degree Elbow
					Diagnostic Provision: Yes
					Inlet Fitting Orientation:
					11:00 as Viewed from Rear of
					Engine
					Fuel Filter Location: Remote
					from Fuel Pump
<input type="checkbox"/>	1	<a href="#">211769</a>	Male Union Elbow	1	
<input type="checkbox"/>	2	<a href="#">3046201</a>	O-Ring Seal	1	
<input type="checkbox"/>	3	<a href="#">3042618</a>	Coupling Nipple	1	